

BaBylissPRO®

Operating Instructions
Models FX787 Series
Cord/Cordless Trimmer



BaBylissPRO®

Instrucciones de
operación
Recortadora con/sin cable
FX787 Series

Directives d'utilisation
Tondeuse de finition
avec/sans fil
FX787 Series

Para su seguridad y para disfrutar plenamente de este producto,
siempre lea las instrucciones cuidadosamente antes de usarlo.
Afin que cet appareil vous procure en toute sécurité beaucoup de
satisfaction, lire attentivement le mode d'emploi avant de l'utiliser.

BC

BC

For your safety and continued enjoyment of this product,
always read the instruction book carefully before using.

IMPORTANT SAFETY INSTRUCTIONS

When using electrical appliances, especially when children are present, basic safety precautions are required to always be followed, including the following:

READ ALL INSTRUCTIONS BEFORE USING *KEEP AWAY FROM WATER*

DANGER — Any appliance is electrically live, even when the switch is off.

To reduce the risk of death or injury by electric shock:

1. **Except when charging, always unplug this appliance from the electrical outlet immediately after using.**
2. Do not place or store appliance where it is able to fall or be pulled into a tub or sink. Do not place in or drop into water or other liquid.
3. Do not use appliance while bathing or in a shower.
4. Do not reach for an appliance that has fallen into water. Unplug immediately from receptacle.
5. Unplug this appliance before cleaning.

WARNING — To reduce the risk of burns, electric shock, fire, or injury to persons:

1. **Never leave a plugged-in appliance unattended.**
2. Close supervision is required when this appliance is used by, on, or near children, or persons with limited physical, sensory, or mental capabilities or invalids.
3. Use this appliance only for its intended use as described in this manual. Do not use attachments not specified by the manufacturer. Do not use an extension cord to operate the appliance.
4. **Never operate this appliance when it has a damaged cord or plug, when it is not working properly, after it has been dropped or damaged, or after it**

has been dropped into water. Return the appliance to a BaBylissPRO Service Center for examination and repair.

5. Keep the appliance cord away from heated surfaces.
6. Do not pull, twist or wrap the cord around the appliance.
7. Never drop or insert any object into any opening on the appliance.
8. Do not place the appliance on any surface while it is operating.
9. Do not use this appliance with a damaged or broken comb or with teeth missing from the blades, as it has the potential to result in facial injury. Before each use, make certain the blades are aligned properly and oiled.
10. Do not use the appliance outdoors or operate where aerosol (spray) products are being used or where oxygen is being administered.
11. Do not crush, or heat above 212° F (100° C) or incinerate the appliance, due to risk of fire, explosion or burns.
12. Always attach plug to appliance first, then to outlet. To disconnect, turn all controls to "0" position then remove plug from outlet.
13. Keep lubricating oil away from children and pets.
14. Never operate this appliance with the air openings blocked or while on a soft surface, such as a bed or couch, where it is possible for the air openings to be blocked. Keep the air openings free of lint, hair, and similar objects.

SAVE THESE INSTRUCTIONS

OPERATING INSTRUCTIONS

1. **Before using the trimmer for the first time, charge continuously for 3 hours. Maximum battery capacity will only be reached after 3 charging and discharging cycles.**
2. Make sure the switch on the trimmer is in the "0" position.
3. Apply a drop of the provided lubricating oil across the blades; wipe off any excess oil with a dry cloth.

4. Connect the charging jack into the receptacle on the bottom of the trimmer. Plug the adapter into any electrical outlet (at the voltage listed on the label affixed to the adapter). The charging indicator will light up to indicate that the charging has begun. Charging is complete after 3 hours. User will see LED light has stopped blinking and is now steady lit.
5. The adapter may become warm while charging. This is normal.
6. Preserving the batteries: In order to maintain the optimum capacity of the rechargeable batteries, the trimmer should be recharged for 3 hours approximately every 6 months.
7. Slide the switch to "I" position.
8. Make sure the switch is in the "O" position when the trimmer is not operating.
9. Remove hair trimmings and debris from the blades using the provided cleaning brush. Wipe the housing clean with a dry cloth.
10. Apply a few drops of lubricating oil to the blades, and wipe off any excess oil with a dry cloth. This last procedure is important for the proper maintenance of the blades.
11. If the charging light starts to flash rapidly (more than 4 flashes per second) then the appliance is faulty. If this happens then please stop charging and remove the adapter from the mains and contact an authorized Service Center.

WARNING: Changes or modifications to this unit not expressly approved by the party responsible for compliance could void the user's authority to operate the equipment. This device complies with Part 15 of the FCC Rules. Operation is subject to the following two conditions: (1) This device may not cause harmful interference, and (2) this device must accept any interference received, including interference that may cause undesired operation.

NOTE: This equipment has been tested and found to comply with the limits for a Class B digital device, pursuant to Part 15 of the FCC Rules. These limits are designed to provide reasonable protection against harmful interference in a residential installation. This equipment generates, uses and can radiate radio frequency energy and, if not installed and used in accordance with the instructions, may cause harmful interference to radio communications.

However, there is no guarantee that interference will not occur in a particular installation. If this equipment does cause harmful interference to radio or television reception, which can be determined by turning the equipment off and on, the user is encouraged to try to correct the interference by one or more of the following measures:

- Reorient or relocate the receiving antenna.
- Increase the separation between the equipment and receiver.
- Connect the equipment into an outlet on a circuit different from that to which the receiver is connected.
- Consult the dealer or an experienced radio/TV technician for help.

Caution: Any changes or modifications not expressly approved by Conair Corporation, the manufacturer of this product and the party responsible for compliance, could void the user's authority to operate the equipment.

FOR DIRECT PLUG-IN OPERATION

Make sure trimmer is off. Connect charging jack into the receptacle at the end of trimmer and plug the adapter into power outlet.

ON/OFF SWITCH

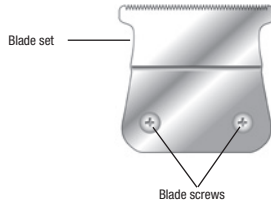
To operate, simply slide switch to "I" position. To stop operation, set to the "O" position.

VERY IMPORTANT: Blades must be cleaned and oiled on a regular basis for proper functioning. Failure to regularly clean and oil the blades will void the warranty.

REPLACING (REMOVING) BLADE SET

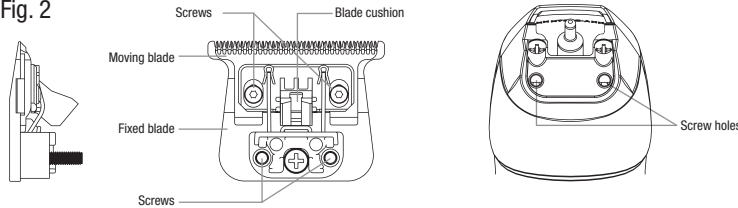
To remove the blade set, turn the trimmer to the OFF position and unplug it from the electrical outlet. Turn the trimmer upside down so that the teeth of the trimmer are facing down. Place the trimmer on a flat surface and using the screwdriver, loosen the fastening screws from the blade set. Remove the blade set from the trimmer (see Fig. 1).

Fig. 1



To install or replace your trimmer blade set, reverse the procedure, aligning the blade cushion shaft into the moving blade cushion (see Fig. 2). With the blade held in place, replace blade screws and tighten loosely. Turn the trimmer over and align the blade set parallel to the trimmer's upper housing.

Fig. 2



BLADE CARE

Because the trimmer blades are precision-made for a very special use, they should always be handled with care and cleaned regularly to ensure maximum performance. Each time you finish using the trimmer, take the cleaning brush provided and brush away any loose hair that has collected in the blades. Use a clean cloth to dry the attachment, reattach and then store the trimmer to protect the blades until the next use. Any other servicing should be performed by an authorized service representative, since the appliance has no other user-serviceable parts. This product is for commercial use.

DO NOT RINSE BLADE OR TRIMMER HANDLE OR ADAPTER.

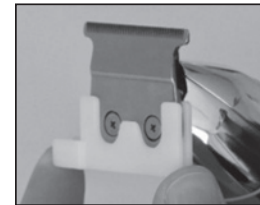
ZERO GAP ADJUSTMENT TOOL

IMPORTANT! Only ever attempt to zero gap the blades using the adjustment tool, following the instructions very precisely.

The adjustment tool is required to adjust the blades to zero gap, to achieve a closer, more precise cut.



Step 1 – Using the screwdriver included, gently loosen the two small screws on each side of the blade.



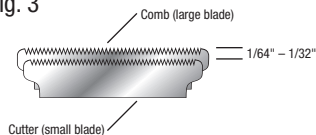
Step 2 – Slide the zero gap tool over the gold fixed blade until it is tight against the back portion of the moving cutting blade.



Step 3 – Using your fingers on each side of the zero gap tool, push up until the black cutting blade is even with “or” slightly below the gold fixed blade.

Be sure that the blades are aligned properly. The teeth of the smaller blade (cutter) should rest slightly below the upper edge of the larger blade (comb) approximately 1/64" to 1/32" apart (see Fig. 3). If the blades are not correctly aligned, they may cut or scratch your skin when trimming. Once the blades have been aligned, tighten the screws firmly.

Fig. 3



Step 4 – MAKE SURE THE MOVING CUTTING BLADE DOES NOT EXTEND PAST THE FIXED GOLD BLADE. **WARNING: IF THE CUTTING BLADE EXTENDS PAST THE FIXED BLADE YOU CAN POTENTIALLY CUT A CLIENT.**



Step 5 – Once the blade is adjusted to zero gap or your liking, gently tighten the two screws on each side of the blade while holding the zero gap tool in place. If the blade is not adjusted to satisfaction after testing, repeat the adjusting process.

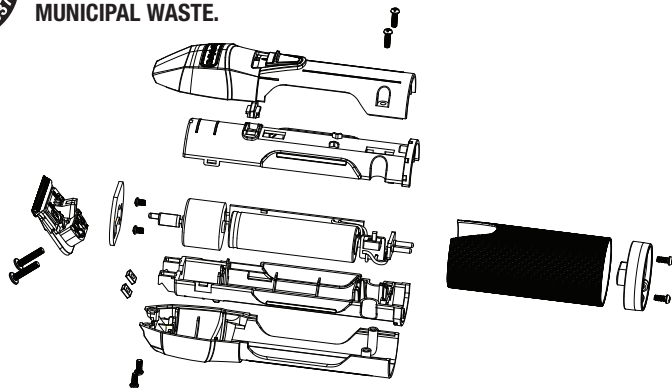
DISPOSAL OF LITHIUM ION BATTERY

This trimmer has a lithium ion battery. To protect the environment, these batteries should be removed and properly disposed of when the unit is no longer operating. To remove the battery block for disposal or recovery, follow these instructions:

1. Disconnect the trimmer from household outlet.
2. Discharge the battery pack completely before removing.
3. Remove the 2 screws in the bottom housing cap. Remove the cap and slide the handle off the unit.
4. Remove the BaBylissPRO name plate using a small flat screwdriver. Proceed to remove the 2 screws located under the name plate and the 2 screws towards the base of the housing.
5. Open the trimmer and remove the battery using wire cutters.
6. To protect the environment, do not dispose of your battery with your ordinary household waste. For more details on recovery of material and waste-treatment facilities, please contact the waste disposal services in your region.



CONTAINS LITHIUM ION BATTERY. MUST BE COLLECTED, RECYCLED OR DISPOSED OF PROPERLY. DO NOT DISPOSE OF IN THE MUNICIPAL WASTE.



T-blade

Trimmer

Adapter



Cleaning brush



Blade guard



Lubricating oil



Screwdriver



Zero gap tool

PRODUCT FEATURES

1. Zero Gap T-Blade
2. Brushless Motor - 7200 rpm
3. Power adapter
Model No.: C045100-A
Input: 100-240V ~ 50/60Hz 0.2A
Output: 4.5V DC 1000mA
4. LED charge indicator light
 - a. LED BLUE Blinking - Charging
 - b. LED BLUE - Fully Charged
 - c. LED BLUE Flashing - 10 minutes battery left
5. Discharge time: 120 minutes

Before using the Class 2 Power supply, read these instructions carefully. This trimmer should only be used with the supplied adapter.

Use only with adapter Model No.: C045100-A which is provided.

Rated input voltage: 100-240V ~, 50/60Hz 0.2A

Rated Output: 4.5V DC 1000mA

OPERATION

1. For dry location use only. Do not expose to water.
2. When not in use, unplug unit completely.
3. Unit will become warm during operation.

CAUTION

1. Dry location use only. Do not expose to liquids, vapor, or rain.
2. Ensure jack is plugged into the trimmer unit before plugging the adapter into the outlet.
3. Do not operate any appliance that has a damaged output cord or housing.
4. Always unplug the unit before cleaning or when not in use.
5. Be sure voltage is correct before plugging in. For connection to supply not in the U.S.A. use an attachment plug adapter of the proper configuration for power outlet. The included adapter automatically adjusts to the input voltage. **DO NOT USE A VOLTAGE CONVERTER.**

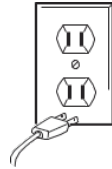
TRIMMER CHARGING PRECAUTIONS

- Avoid charging the batteries at temperatures below 41° F (5° C) or above 95° F (35° C).
- Avoid charging the batteries in direct sunlight or near a radiating heat source.
- Even though the trimmer may not be used for an extended period, charge once a month to preserve battery life.
- The power cord cannot be replaced. If it is damaged, the AC adapter should be discarded.

TRIMMER OPERATING PRECAUTIONS

- This trimmer has a built-in rechargeable battery. Do not throw into fire, apply heat, or charge, use, or leave in a high-temperature environment.

**WARNING:
IF YOU THINK THE
POWER IS OFF WHEN
THE SWITCH IS OFF,
YOU'RE WRONG.**



Everyone knows that electricity and water are a dangerous combination. But did you know that an electrical appliance is still electrically live even if the switch is off? If the plug is in, the power is on. So when you are not using the appliances, keep them unplugged.

LIMITED 2-YEAR WARRANTY (U.S. ONLY)

BabylissPro will repair or replace (at our option) your unit free of charge for 24 months from the date of purchase if the appliance is defective in workmanship or materials.

To obtain service under this warranty, return the defective product to the service center listed below, together with your purchase receipt and \$15.00 for postage and handling. California residents need only provide proof of purchase and should call 1-800-326-6247 for shipping instructions. In the absence of a purchase receipt, the warranty period shall be 24 months from the date of manufacture.

ANY IMPLIED WARRANTIES, OBLIGATIONS, OR LIABILITIES, INCLUDING BUT NOT LIMITED TO THE IMPLIED WARRANTY OF MERCHANTABILITY AND FITNESS FOR A PARTICULAR PURPOSE, SHALL BE LIMITED IN DURATION TO THE 24-MONTH DURATION OF THIS WRITTEN, LIMITED WARRANTY. Some states do not allow limitations on how long an implied warranty lasts, so the above limitations may not apply to you.

IN NO EVENT SHALL BABYLISPRO BE LIABLE FOR ANY SPECIAL, INCIDENTAL, OR CONSEQUENTIAL DAMAGES FOR BREACH OF THIS OR ANY OTHER WARRANTY, EXPRESSED OR IMPLIED, WHATSOEVER. Some states do not allow the exclusion or limitation of special, incidental, or consequential damages, so the above limitation may not apply to you.

This warranty gives you specific legal rights, and you may also have other rights, which vary from state to state.

BaBylissPRO Clipper & Trimmer Service Program

Replacement parts may be available for your product.

Please contact our BaBylissPRO service department by calling 1-800-326-6247.

Please provide your product name/model number, details,
date of purchase and part you require.

Service Center

BabylissPro
Service Department

7475 N. Glen Harbor Blvd.
Glendale, AZ 85307

1-800-326-6247
©2020 BabylissPro
205 Shelhouse Drive
Rantoul, IL 61866

19FA060910
www.babylisspro.com

IF YOU LIVE OUTSIDE CANADA, PLEASE CONTACT YOUR LOCAL DISTRIBUTOR.

CANADIAN TWO YEAR REPLACEMENT WARRANTY

Dannycoprofessional is the exclusive Canadian distributor of this product. We offer the following excellent warranty on your professional electrical appliance. Keep your sales slip. This is your proof of purchase and your guarantee. This guarantee is not valid in case of abuse, misuse, alterations or repairs done by unauthorized persons. Before returning your defective electrical product, please read the warranty conditions listed in this brochure.

Should your professional electrical appliance possess a manufacturer's defect, it may be exchanged by your distributor or Dannycoprofessional at no charge within TWO YEARS from date of purchase, if the electrical appliance is accompanied by a proof of purchase.

If you are sending your defective appliance which is covered by this guarantee, directly to the Dannycoprofessional Service Center, it must be accompanied by the following:

- 1) your dated sales slip;
- 2) a precise description of the defect;
- 3) your complete return address and daytime phone number; and,
- 4) a \$10 money order for postage and handling

Please return your defective appliance to:

ATTN: Dannycoprofessional Service Center

CONAIR CONSUMER PRODUCTS ULC

100 Conair Parkway
Woodbridge, Ontario
L4H 0L2

This warranty applies only to residents of Canada. Products shipped from outside of Canada will not be processed and will not be returned to sender.

For questions regarding this product,

you may call Dannycoprofessional's Service Centre at:

1-800-363-0707, or email us at customerservice@dannycoprofessional.com.

IB-16251D

MEDIDAS DE SEGURIDAD IMPORTANTES

Al usar aparatos eléctricos, especialmente en presencia de niños, siempre debe tomar precauciones básicas de seguridad, entre ellas las siguientes:

LEA TODAS LAS INSTRUCCIONES ANTES DE USARLO

MANTÉNGALO ALEJADO DEL AGUA

PELIGRO — Cualquier aparato enchufado permanece bajo tensión, aunque esté apagado. Para reducir el riesgo de electrocución o lesiones por descarga eléctrica:

1. **Siempre desenchufe el aparato inmediatamente después del uso, excepto cuando lo está cargando.**
2. No coloque ni guarde el aparato donde pueda caerse o ser empujado a una bañera o un lavabo. No coloque este producto ni lo deje caer en agua ni en ningún otro líquido.
3. No lo use en el baño o la ducha.
4. No trate de alcanzar el aparato después de que se haya caído al agua; desenchúfelo inmediatamente.
5. Desenchufe el aparato antes de limpiarlo.

ADVERTENCIA — Para reducir el riesgo de quemaduras, descarga eléctrica, incendio o heridas:

1. **Nunca descuide/deje el aparato sin vigilancia mientras está conectado.**
2. Supervise el uso de este aparato cuidadosamente cuando sea usado por, en o cerca de niños, personas cuyas capacidades físicas, sensoriales o mentales están limitadas, o personas inválidas o discapacitadas.
3. Utilice este aparato únicamente con el propósito para el cual fue diseñado y solamente según las instrucciones. Solo use accesorios recomendados por el fabricante. No utilice un cable alargador/de extensión con este aparato.

4. **No utilice este aparato si el cable o el enchufe están dañados, si no funciona correctamente, si está dañado, o después de que se haya caído, incluso en el agua; devuélvalo a un centro de servicio autorizado para su revisión y reparación.**
5. Mantenga el cable alejado de superficies calientes.
6. No jale, retuerza ni enrolle el cable alrededor del aparato.
7. Nunca deje caer ni inserte ningún objeto en ninguna de las aberturas.
8. No coloque el aparato sobre ninguna superficie mientras está funcionando.
9. Para evitar las lesiones faciales, no utilice este aparato con guías o cuchillas rotas o dañadas, o si les faltan dientes a las cuchillas. Cerciórese de que las cuchillas están debidamente alineadas y lubricadas antes de cada uso.
10. No lo utilice en exteriores, ni lo haga funcionar donde se estén usando productos en aerosol (spray) o donde se esté administrando oxígeno.
11. No machuque, incinere o exponga a temperaturas superiores a 212 °F (100 °C); esto puede presentar un riesgo de incendio, explosión o quemaduras.
12. Siempre conecte el cable al aparato antes de enchufarlo en la toma de corriente. Siempre apague ("0") el aparato antes de desenchufarlo.
13. Mantenga el aceite lubricante fuera del alcance de los niños.
14. Nunca obstruya las entradas de aire ni coloque el aparato sobre una superficie blanda, tal como una cama o un sofá, donde se puedan obstruir. Mantenga las aberturas de aire libres de pelusas, cabellos y elementos similares.

GUARDE ESTAS INSTRUCCIONES

INSTRUCCIONES DE OPERACIÓN

1. **Cargue el aparato por 3 horas continuas antes del primer uso. La batería recargable alcanzará su capacidad máxima después de 3 ciclos de carga/descarga.**
2. Cerciórese de que el aparato está apagado ("0").

3. Vierta una gota del aceite lubricante provisto en las cuchillas y seque el exceso de aceite con un paño seco.
4. Conecte el cable del adaptador al aparato. Enchufe el adaptador en una toma de corriente (compruebe el voltaje indicado en la etiqueta del adaptador antes de enchufarlo). La luz de carga se encenderá, lo que indica que el aparato se está cargando. Después de 3 horas, la carga estará completa; el indicador LED dejará de parpadear y permanecerá encendido.
5. Puede que el adaptador se ponga ligeramente caliente durante la carga; esto es normal.
6. Consejo para alargar la vida de las baterías: para lograr un rendimiento óptimo y mantener la capacidad de las baterías recargables, le recomendamos que cargue el aparato por aprox. 3 horas cada 6 meses.
7. Deslice el interruptor hacia "I" para encender el aparato.
8. Asegúrese de que el interruptor está en la posición "0" cuando no usa el aparato.
9. Limpie las cuchillas con el cepillo de limpieza provisto. Limpie la carcasa con un paño seco.
10. Vierta unas cuantas gotas del aceite lubricante provisto en las cuchillas y seque el exceso de aceite con un paño seco; esto es importante para mantener las cuchillas en condición óptima.
11. Si de repente la luz de carga empieza a parpadear rápidamente (más de 4 destellos por segundo), esto significa que el aparato está defectuoso. En caso de que esto suceda, desenchufe el adaptador de la toma de corriente y comuníquese con un centro de servicio autorizado.

ADVERTENCIA: se advierte que las modificaciones no aprobadas expresamente por la autoridad competente en materia de conformidad podrían rescindir el permiso del usuario para operar el equipo. Este artefacto cumple con la Sección 15 de la Normativa FCC. Su funcionamiento está sujeto a las dos condiciones siguientes: (1) Este artefacto no puede causar ninguna interferencia perjudicial, y (2) Este artefacto debe aceptar cualquier interferencia recibida, incluso alguna interferencia que pudiera ocasionar una operación no deseada.

NOTA: este equipo ha sido probado y se ha determinado que cumple con los límites de un dispositivo digital de Clase B, según la Sección 15 de la Normativa FCC. Estos límites han sido concebidos para proporcionar una protección razonable contra interferencias perjudiciales en las instalaciones de edificios. Este equipo genera, utiliza y puede irradiar energía de radiofrecuencia y, si no ha sido instalado o usado conforme a las instrucciones, puede ocasionar interferencias perjudiciales para las comunicaciones por radio.

No obstante, no hay garantía de que no aquellas interferencias no ocurran en una instalación particular. Si este equipo produce alguna interferencia perjudicial en la recepción de radio o televisión, lo que podrá determinarse encendiendo y apagando el equipo, se recomienda tratar de corregir la interferencia, adoptando una o más de las siguientes medidas:

- Reorientar o reubicar la antena receptora.
- Aumentar la distancia entre el equipo y el receptor.
- Conectar el equipo a un circuito distinto al que esté conectado el receptor.
- Consultar con el distribuidor o un técnico especializado en radio/TV.

Precaución: se advierte que los cambios o modificaciones no aprobados expresamente por Conair Corporation, el fabricante o la autoridad competente en materia de conformidad podrían rescindir el permiso del usuario para operar el equipo.

USO CON CABLE

Cerciórese de que el aparato está apagado. Conecte el cable directamente al aparato y enchufe el adaptador en una toma de corriente.

BOTÓN DE ENCENDIDO/APAGADO

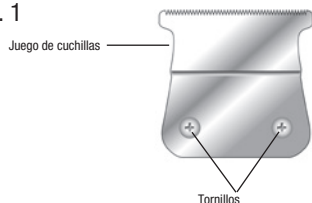
Para encender la unidad, ponga el interruptor en "I". Para apagar la unidad, ponga el interruptor en "0".

MUY IMPORTANTE: es imprescindible limpiar y lubricar las cuchillas regularmente para garantizar el buen funcionamiento del aparato. El incumplimiento de estas instrucciones invalidará la garantía.

CAMBIO DEL JUEGO DE CUCHILLAS

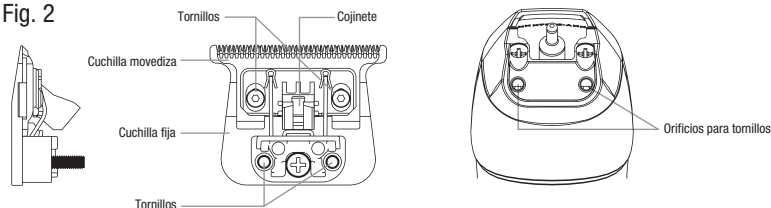
Apague y desenchufe el aparato. Voltee el aparato de manera que los dientes de las cuchillas apunten hacia abajo. Coloque el aparato sobre una superficie plana y quite los tornillos que sujetan las cuchillas con un destornillador. Retire el juego de cuchillas (Fig. 1).

Fig. 1



Para volver a instalar o reemplazar las cuchillas, coloque las cuchillas sobre el cabezal del aparato, haciendo coincidir el eje del cojinete con la guía de la cuchilla movедiza (Fig. 2). Apriete ligeramente los tornillos. Voltee el aparato y alinee las cuchillas.

Fig. 2



LIMPIEZA DE LAS CUCHILLAS

Las cuchillas de su recortadora han sido diseñadas con precisión para un uso específico. Deben recibir un cuidado muy especial y ser limpiadas regularmente para asegurar un rendimiento óptimo. Limpie las cuchillas después de cada uso, usando el cepillo de limpieza provisto. Seque el cabezal con un paño limpio, vuelva a instalarlo y guarde el aparato hasta el próximo uso para proteger las cuchillas.

Cualquier otro servicio debe ser realizado por un técnico autorizado. Este aparato no contiene ninguna pieza que pueda ser reparada/cambiada por el usuario. Para uso profesional solamente.

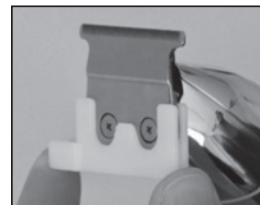
NO MOJE LAS CUCHILLAS, EL MANGO NI EL ADAPTADOR.

HERRAMIENTA DE AJUSTE A CERO

¡IMPORTANTE! Utilice solamente la herramienta provista para ajustar las cuchillas a cero, y cerciórese de seguir precisamente las instrucciones. Aquella herramienta está especialmente diseñada para ajustar las cuchillas a cero para un corte más apurado y más preciso.



Paso 1 – Afloje suavemente los dos tornillos pequeños en cada lado del juego de cuchillas con el destornillador provisto.



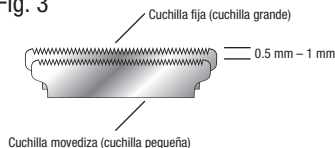
Paso 2 – Deslice la herramienta de ajuste a cero por encima de la cuchilla fija (cuchilla dorada) hasta que esté contra la parte trasera de la cuchilla de corte movедiza (cuchilla negra).



Paso 3 – Coloque los dedos en cada lado de la herramienta de ajuste cero y empuje hacia arriba hasta que la cuchilla de corte movediza (cuchilla negra) esté al mismo nivel o ligeramente por debajo de la cuchilla fija (cuchilla dorada).

Compruebe que las cuchillas están alineadas correctamente. Los dientes de la cuchilla movediza (cuchilla pequeña) deben estar 0.5 mm a 1 mm abajo de la parte superior de los dientes de la cuchilla fija (cuchilla grande) (Fig. 3). Problemas de alineación pueden causar rasguños o cortaduras durante el corte. Una vez alineadas las cuchillas, apriete firmemente los tornillos.

Fig. 3



Paso 4 – **COMPRUEBE QUE LA CUCHILLA DE CORTE MOVEDIZA (CUCHILLA NEGRA) NO SOBRESALE MÁS ALLÁ DE LA CUCHILLA FIJA (CUCHILLA DORADA). ADVERTENCIA: SI LA CUCHILLA DE CORTE MOVEDIZA (CUCHILLA NEGRA) SOBRESALE MÁS ALLÁ DE LA CUCHILLA FIJA (CUCHILLA DORADA), PUEDE CORTAR EL CLIENTE.**



Paso 5 – Cuando las cuchillas estén ajustadas a cero (o al nivel deseado), apriete suavemente los dos tornillos en cada lado del juego de cuchillas mientras mantiene la herramienta de ajuste a cero en su lugar. Haga una prueba de manejo. Si las cuchillas no están bien ajustadas, repita el proceso de ajuste.

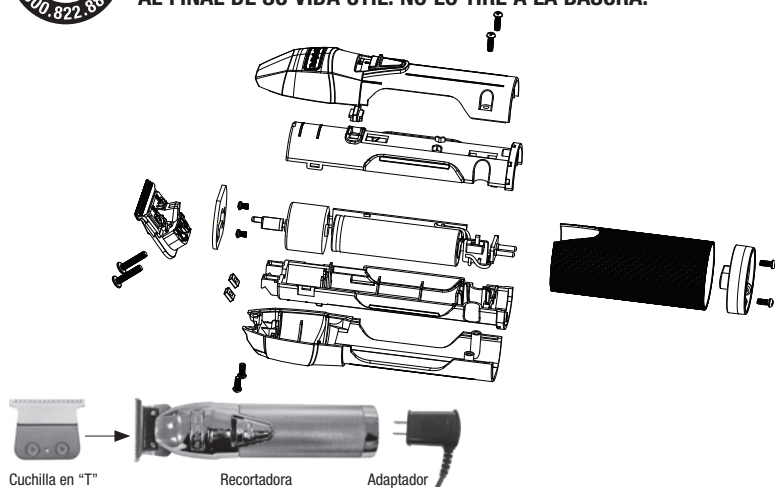
RECICLAJE DE LA BATERÍA DE IONES DE LITIO

Este aparato contiene una batería de iones de litio. Para proteger el medio ambiente, esta batería debe reciclarse según las leyes vigentes al final de su vida útil. Para retirar la batería:

1. Apague y desenchufe el aparato.
2. Descargue la batería completamente antes de sacarla.
3. Quite los 2 tornillos abajo de la carcasa. Quite la cubierta y jale el mango fuera de la unidad.
4. Quite la placa BaBylissPRO, usando un pequeño destornillador plano. Quite los 2 tornillos ubicados debajo de la placa y los 2 tornillos en la base de la carcasa.
5. Abra la carcasa y corte los alambres que conectan la batería al motor con un cortador de alambre; retire la batería.
6. Para proteger el medio ambiente, no tire la baterías con el resto de la basura. Para más información sobre las opciones de reciclaje disponibles en su región, por favor póngase en contacto con los servicios locales de eliminación de desechos.



ESTE APARATO CONTIENE UNA BATERÍA RECARGABLE DE IONES DE LITIO, LA CUAL DEBE RECICLARSE SEGÚN LAS LEYES VIGENTES AL FINAL DE SU VIDA ÚTIL. NO LO TIRE A LA BASURA.



Cepillo de limpieza



Protector de cuchillas



Aceite lubricante



Herramienta de ajuste a cero



Destornillador

CARACTERÍSTICAS DE LA RECORTADORA

1. Cuchilla en "T" ajustable a cero
2. Motor sin escobillas capaz de alcanzar 7200 rpm
3. Adaptador
Modelo: C045100-A
Potencia nominal de entrada: 100–240 V~, 50/60 Hz, 0.2 A
Potencia nominal de salida: 4.5 V DC, 1000 mA
4. Luz de carga LED
 - a. Luz LED AZUL parpadeante = Cargándose
 - b. Luz LED AZUL encendida = Carga completa
 - c. Luz LED AZUL parpadeante (rápido) = 10 minutos restantes
5. Tiempo de autonomía: 120 minutos

Lea cuidadosamente las instrucciones antes de utilizar este adaptador de clase 2. Utilice este aparato solamente con el adaptador provisto.

Utilice el aparato solamente con el adaptador provisto (modelo C045100-A).

Potencia nominal de entrada: 100–240 V~, 50/60 Hz, 0.2 A

Potencia nominal de salida: 4.5 V DC, 1000 mA

FUNCIONAMIENTO

1. Para uso en lugares secos solamente; no lo exponga al agua.
2. Desenchufe el aparato cuando no lo está usando.
3. El adaptador se pone caliente durante el uso; esto es normal.

PRECAUCIÓN

1. Para uso en lugares secos solamente; no lo exponga al agua, al vapor o a la lluvia.
2. Siempre conecte el cable al aparato antes de enchufar el adaptador en la toma de corriente.
3. No utilice el aparato si la carcasa o el cable están dañados.
4. Siempre desenchufe el adaptador después del uso y antes de limpiar la unidad.
5. Asegúrese de que el selector de voltaje está en la posición correcta antes de conectar el aparato a la toma de corriente. Puede que sea necesario utilizar un adaptador de viaje (no incluido) para conectar el aparato fuera de los Estados Unidos. El adaptador provisto se adapta automáticamente al voltaje adecuado. **NO UTILICE ESTE APARATO CON UN CONVERTIDOR DE VOLTAJE.**

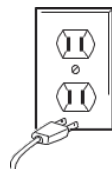
PRECAUCIONES DE CARGA

- Evite cargar el aparato en temperaturas inferiores a 41 °F (5 °C) o superiores a 95 °F (35 °C).
- Procure no cargar el aparato en la luz directa del sol o cerca de una fuente de calor.
- Le aconsejamos que cargue el aparato una vez al mes, aunque no tenga previsto usarlo; esto ayudará a preservar la vida de la batería recargable.
- El cable de alimentación no puede ser reemplazado. Si está dañado, tire el adaptador.

PRECAUCIONES DE USO

- Este aparato contiene una batería recargable. No lo incinere/tire al fuego, caliente, cargue, use o almacene en un ambiente muy caliente.

**ADVERTENCIA:
SI CREE QUE NO HAY
CORRIENTE CUANDO EL
APARATO ESTÁ APAGADO,
ESTÁ EQUIVOCADO.**



Todos sabemos que no se debe mezclar la electricidad y el agua. Pero ¿Sabe usted que un aparato eléctrico permanece bajo tensión, aunque esté apagado? Si está conectado, hay corriente. Por lo tanto, siempre desenchufe los aparatos eléctricos después del uso.

GARANTÍA LIMITADA DE DOS AÑOS (VÁLIDA EN LOS EE.UU. SOLAMENTE)

BabylissPro reparará o reemplazará (a su opción) este producto sin cargo por un período de 24 meses a partir de la fecha de compra si presenta defectos de fabricación o materiales.

Para obtener servicio técnico bajo esta garantía, devuelva el producto defectuoso al Centro de Servicio indicado a continuación, junto con su recibo de compra y un cheque o giro postal de US\$15.00 para cubrir los gastos de manejo y envío. Los residentes de California solo necesitan dar una prueba de compra y deben llamar al 1-800-326-6247 para recibir instrucciones de envío. En ausencia del recibo de compra, el período de garantía será de 24 meses a partir de la fecha de fabricación.

CUALQUIER GARANTÍA, OBLIGACIÓN O RESPONSABILIDAD IMPLÍCITAS, INCLUYENDO, PERO NO LIMITADAS A LA GARANTÍA IMPLÍCITA DE COMERCIABILIDAD Y APTITUD PARA UN PROPÓSITO ESPECÍFICO, ESTARÁN LIMITADAS POR LOS 24 MESES DE LA PRESENTE GARANTÍA ESCRITA. Algunos Estados no permiten limitaciones sobre la duración de una garantía implícita, de modo que las limitaciones mencionadas pueden no regir para usted.

BABYLISPRO NO SERÁ RESPONSABLE, EN NINGÚN CASO, POR NINGÚN DAÑO ESPECIAL, INCIDENTAL O CONSECUENTE DEBIDO AL INCUMPLIMIENTO DE ESTA O CUALQUIER OTRA GARANTÍA, EXPRESA O IMPLÍCITA. Algunos Estados no permiten la exclusión o limitación de daños especiales, incidentales o consecuentes, de modo que las limitaciones mencionadas pueden no regir para usted.

Esta garantía le otorga derechos legales específicos y usted puede tener otros derechos que varían de un Estado a otro.

Piezas de repuesto para las cortadoras/recortadoras BaBylissPRO

Puede que piezas de repuesto sean disponibles para su aparato.

Para más información, comuníquese con el servicio posventa de BaBylissPRO, llamando al 1-800-326-6247.

Deberá proveer el nombre del producto/número de modelo, la fecha de compra y el nombre o la descripción de la pieza de necesita.

Centro de servicio

BabyllissPro

Service Department

7475 N. Glen Harbor Blvd.
Glendale, AZ 85307

1-800-326-6247
©2020 BabyllissPro
205 Shelhouse Drive
Rantoul, IL 61866

19FA060910
www.babyllisspro.com

IB-16251D

IMPORTANTES CONSIGNES DE SÉCURITÉ

L'utilisation d'appareils électriques, notamment en présence d'enfants, requiert la prise de précautions élémentaires, parmi lesquelles les suivantes :

LIRE TOUTES LES INSTRUCTIONS AVANT L'UTILISATION

TENIR LOIN DE L'EAU

DANGER — Un appareil électrique est toujours sous tension lorsqu'il est branché, même lorsqu'il est éteint. Pour réduire le risque de blessures ou de mort par électrocution :

1. **Débrancher l'appareil immédiatement après usage, à moins que vous ne souhaitiez le recharger.**
2. Ne pas placer ou ranger l'appareil dans un endroit où il peut tomber ou être entraîné dans une baignoire ou un lavabo. Ne pas placer ou laisser tomber dans l'eau ou tout autre liquide.
3. Ne pas utiliser dans le bain ou la douche.
4. Si l'appareil tombe à l'eau, ne pas tenter de rattraper ; le débrancher immédiatement.
5. Débrancher l'appareil avant de le nettoyer.

AVERTISSEMENT — Afin de réduire le risque de brûlures, de choc électrique, d'incendie ou de blessures :

1. **Ne jamais laisser l'appareil sans surveillance alors qu'il est branché.**
2. Il convient d'exercer une surveillance étroite lorsque l'appareil est utilisé par, sur ou près d'enfants, de personnes atteintes de certains handicaps physiques, mentaux ou sensoriels, ou de personnes invalides.
3. Utiliser cet appareil uniquement aux fins indiquées dans ce manuel. Utiliser uniquement les accessoires recommandés par le fabricant. Ne pas utiliser l'appareil avec une rallonge électrique.

4. **Ne pas utiliser l'appareil si le cordon d'alimentation ou la fiche sont endommagés, s'il ne fonctionne pas correctement, s'il est abîmé ou après qu'il soit tombé ou tombé à l'eau ; le renvoyer à un centre de service autorisé afin qu'il soit inspecté et réparé.**
5. Tenir le cordon éloigné des surfaces chaudes.
6. Ne pas tirer, tordre ou enrouler le cordon d'alimentation autour de l'appareil.
7. Ne jamais rien insérer ou laisser tomber dans les ouvertures.
8. Ne pas déposer l'appareil après l'avoir allumé.
9. Afin d'éviter les risques de blessure au visage, ne pas utiliser l'appareil si le guide ou la lame sont endommagés, ou si la lame a des dents en moins. Vérifier que les lames sont correctement alignées et lubrifiées avant chaque utilisation.
10. Ne pas utiliser à l'extérieur ou dans des endroits où l'on utilise des produits aérosols (spray) ou où l'on administre de l'oxygène.
11. Ne pas écraser, brûler ou exposer l'appareil à une température supérieure à 100 °C (212 °F) ; cela présente un risque d'incendie, d'explosion ou de brûlures.
12. Toujours connecter le cordon électrique à l'appareil avant de le brancher dans la prise de courant. Toujours éteindre ("0") l'appareil avant de le débrancher.
13. Tenir l'huile lubrifiante hors de portée des enfants et des animaux domestiques.
14. Ne pas obstruer les ouvertures ou placer l'appareil sur une surface molle telle qu'un lit ou un divan, où elles pourraient se boucher. Vérifier que les ouvertures ne sont pas obstruées par des peluches, cheveux ou autres saletés.

CONSERVER CES INSTRUCTIONS

DIRECTIVES D'UTILISATION

1. **Avant d'utiliser l'appareil pour la première fois, il devra être chargé pendant 3 heures. La batterie rechargeable n'atteindra sa capacité maximale qu'après trois cycles de charge/décharge.**
2. Vérifier que l'appareil est éteint ("0").

3. Verser une goutte d'huile lubrifiante sur les lames et essuyer le surplus d'huile à l'aide d'un linge sec.
4. Connecter la prise de charge de l'adaptateur à la tondeuse. Brancher l'adaptateur dans une prise de courant (vérifier la tension indiquée sur l'étiquette de l'adaptateur avant de le brancher) ; le témoin de charge s'allumera pour indiquer que la charge a commencé. Au bout de 3 heures, la charge sera complète ; le témoin LED arrêtera de clignoter et restera allumé.
5. L'adaptateur peut devenir chaud pendant la charge ; cela est normal.
6. Durée de vie : afin d'optimiser la durée de vie des piles rechargeables, il est conseillé de recharger la tondeuse pendant 3 heures tous les six mois.
7. Allumer ("I") l'appareil.
8. Vérifier que l'interrupteur est sur "0" lorsque vous n'utilisez pas l'appareil.
9. Nettoyer les lames à l'aide de la brosse de nettoyage incluse. Essuyer le boîtier à l'aide d'un linge sec.
10. Verser quelques gouttes d'huile lubrifiante sur les lames et essuyer le surplus d'huile à l'aide d'un linge sec ; cela est important pour maintenir les lames en condition optimale.
11. Si le témoin de charge se met à clignoter rapidement (plus 4 fois par seconde), cela signifie que l'appareil est défectueux ; débrancher l'adaptateur de la prise de courant et contacter un service après-vente autorisé.

AVERTISSEMENT : toute modification apportée à cet appareil sans l'approbation expresse de l'autorité compétente en matière de conformité pourrait résilier le droit de l'utilisateur d'utiliser l'appareil. Cet appareil est conforme à la section 15 des normes de la FCC. Son fonctionnement est sujet à deux conditions : (1) cet appareil ne doit pas causer d'interférences nuisibles et (2) cet appareil doit accepter les interférences reçues, y compris celles qui pourraient provoquer un fonctionnement indésirable.

REMARQUE : cet appareil a été testé et s'est avéré conforme aux limites s'appliquant aux appareils numériques de classe B, conformément aux dispositions de la section 15 des normes de la FCC. Ces limites sont conçues pour offrir une protection raisonnable

contre les interférences nuisibles dans une installation résidentielle. Cet appareil produit, utilise et peut émettre de l'énergie en fréquence radio. S'il n'est pas installé et utilisé conformément aux instructions, il peut provoquer des interférences nuisibles aux communications radio.

Cependant, il n'existe aucune garantie qu'une installation quelconque ne produira pas d'interférence. Si cet appareil cause des interférences nuisant au fonctionnement d'un équipement radio ou d'un téléviseur (ce qui peut être déterminé en allumant, puis en éteignant l'appareil), nous vous encourageons à essayer de corriger l'interférence en mettant en œuvre une ou plusieurs des mesures suivantes :

- Réorienter l'antenne réceptrice ou la changer de place.
- Éloigner l'appareil du poste récepteur.
- Brancher l'appareil sur un circuit différent de celui sur lequel est branché le poste récepteur.
- Contacter le distributeur ou un technicien radio/TV.

Mise en garde : tout changement ou modification apportés à l'appareil sans l'approbation expresse de Conair Corporation, du fabricant ou de l'autorité compétente en matière de conformité pourrait résilier le droit de l'utilisateur d'utiliser l'appareil.

UTILISATION SUR SECTEUR

Vérifier que l'appareil est éteint. Connecter le cordon directement à la tondeuse et brancher l'adaptateur secteur dans une prise de courant.

BOUTON MARCHÉ/ARRÊT

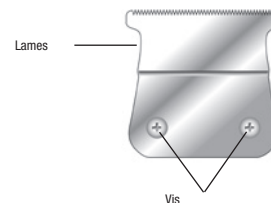
Pour mettre en marche, mettre l'interrupteur sur "I". Pour éteindre, mettre l'interrupteur sur "O".

TRÈS IMPORTANT : il est essentiel de nettoyer et lubrifier les lames régulièrement afin d'assurer le bon fonctionnement de l'appareil. Le non-respect de ces instructions annulera la garantie.

REPLACEMENT (RETRAIT) DES LAMES

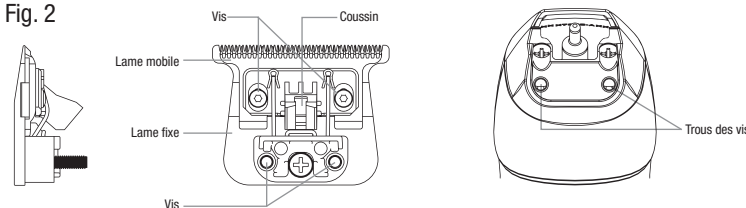
Éteindre et débrancher l'appareil. Retourner l'appareil de façon à ce que les lames pointent vers le bas. Poser l'appareil. Retirer les vis qui tiennent les lames en place à l'aide d'un tournevis. Retirer le jeu de lames (Fig. 1).

Fig. 1



Pour remettre les lames en place ou installer un nouveau jeu de lames, poser les lames sur la tête de la tondeuse, en alignant l'axe du coussin avec le guide de la lame mobile (Fig. 2). Remettre les vis en place, sans trop serrer. Retourner la tondeuse et aligner les lames.

Fig. 2



NETTOYAGE DES LAMES

Les lames de votre tondeuse ont été fabriquées avec précision, pour un usage spécifique, et demandent un entretien particulier et un nettoyage régulier afin de garantir un rendement maximal. Nettoyer les lames après chaque utilisation, à l'aide de la brosse de nettoyage fournie. Essuyer les guides de coupe à l'aide d'un linge propre, les remettre en place, puis ranger l'appareil pour protéger les lames.

Toute autre opération d'entretien ou de réparation doit être effectuée par un technicien autorisé. Cet appareil ne contient aucune pièce pouvant être réparée/remplacée par l'utilisateur. Cet appareil est réservé à l'usage professionnel.

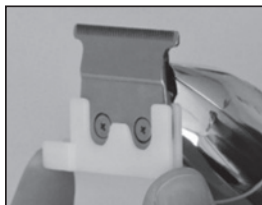
NE PAS MOUILLER LES LAMES, LA POIGNÉE OU L'ADAPTATEUR.

OUTIL DE RÉGLAGE À ZÉRO

IMPORTANT ! Utiliser uniquement l'outil fourni pour régler les lames à zéro, et veiller à suivre précisément les instructions. Cet outil est spécialement conçu pour régler les lames à zéro, permettant une coupe plus courte et plus précise.



Étape 1 – Desserrer doucement les deux petites vis de chaque côté du jeu de lames à l'aide du tournevis fourni.



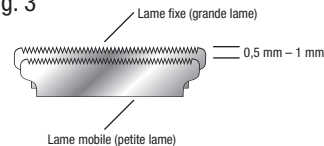
Étape 2 – Faire glisser l'outil de réglage à zéro sur la lame fixe (lame dorée) jusqu'à ce qu'il se trouve tout contre la partie postérieure de la lame de coupe mobile (lame noire).



Étape 3 – Placer les doigts de chaque côté de l'outil de réglage à zéro et pousser vers le haut jusqu'à ce que la lame de coupe mobile (lame noire) soit au même niveau ou légèrement en dessous de la lame fixe (lame dorée).

Vérifier que les lames sont bien alignées. Les dents de la lame mobile (petite lame) doivent être 0,5 mm à 1 mm en dessous de celles de la lame fixe (grande lame) (Fig.3). Des lames mal alignées peuvent provoquer des égratignures ou des coupures pendant la coupe. Une fois que les lames sont alignées, serrer les vis.

Fig. 3



Étape 4 – VÉRIFIER QUE LA LAME DE COUPE MOBILE (LAME NOIRE) NE DÉPASSE PAS LA LAME FIXE (LAME DORÉE). **AVERTISSEMENT : SI LA LAME DE COUPE MOBILE (LAME NOIRE) DÉPASSE LA LAME FIXE (LAME DORÉE), ELLE PEUT COUPER LE CLIENT.**



Étape 5 – Une fois que les lames sont réglées à zéro (ou au niveau voulu), resserrer doucement les deux vis de chaque côté du jeu de lames tout en maintenant l'outil de réglage à zéro en place. Faire un essai. Si les lames ne sont pas bien réglées, répéter le processus de réglage.

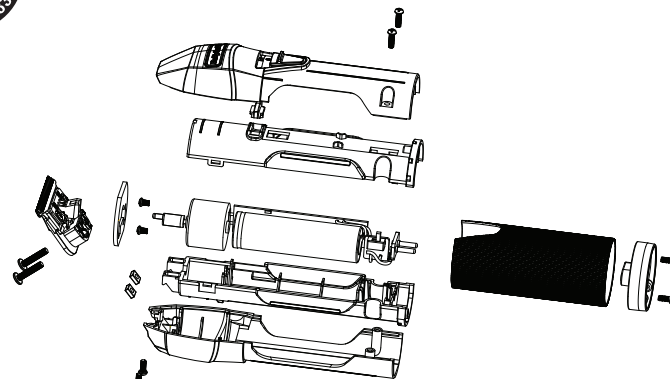
RECYCLAGE DE LA BATTERIE LITHIUM-ION

Cet appareil contient une batterie lithium-ion. Pour protéger l'environnement, cette batterie doit être retirée et jetée de manière appropriée en fin de vie. Pour retirer la batterie :

1. Éteindre et débrancher l'appareil.
2. Décharger la batterie complètement avant de la retirer.
3. Retirer les 2 vis en bas du boîtier. Retirer le couvercle et faire glisser la poignée en dehors du boîtier.
4. Retirer la plaque BaBylissPRO à l'aide d'un petit tournevis plat. Retirer les 2 vis sous la plaque et les 2 vis en bas du boîtier.
5. Ouvrir le boîtier et couper les fils qui connectent la batterie au moteur à l'aide d'un coupe-fil; retirer la batterie du boîtier.
6. Pour protéger l'environnement, ne pas jeter la batterie avec les déchets ménagers. Pour plus de détails sur la récupération des matériaux et le traitement des déchets, veuillez contacter les services d'élimination des déchets dans votre région.



CET APPAREIL RENFERME UNE BATTERIE LITHIUM-ION RECHARGEABLE, À RECYCLER SELON LES NORMES EN VIGUEURS. NE PAS JETER AVEC LES ORDURES MÉNAGÈRES.



Lame en "T"

Tondeuse de finition

Adaptateur



Brosse de nettoyage



Protège-lames



Huile lubrifiante



Outil de réglage à zéro



Tournevis

CARACTÉRISTIQUES DE LA TONDEUSE

1. Lame en "T" réglable à zéro
2. Moteur sans balais capable d'atteindre 7.200 tr/mn.
3. Adaptateur secteur
Modèle : C045100-A
Tension nominale d'entrée : 100–240 V~, 50/60 Hz, 0,2 A
Tension nominale de sortie : 4,5 V C.C., 1000 mA
4. Voyant de charge LED
 - a. Voyant LED BLEU clignotant = en cours de charge
 - b. Voyant LED BLEU allumé = charge complète
 - c. Voyant LED BLEU clignotant rapidement = 10 minutes restantes
5. Durée d'autonomie : 120 minutes

Lire attentivement ces instructions avant d'utiliser cet adaptateur de classe 2.

Utiliser cet appareil uniquement avec l'adaptateur secteur fourni.

Utiliser uniquement l'adaptateur fourni avec l'appareil (modèle C045100-A).

Tension nominale d'entrée : 100–240 V~, 50/60Hz, 0,2 A

Tension nominale de sortie : 4,5 V C.C., 1000 mA

FONCTIONNEMENT

1. Utiliser dans un endroit sec uniquement. Ne pas exposer à l'eau.
2. Débrancher l'appareil lorsque vous ne l'utilisez pas.
3. L'adaptateur devient légèrement chaud pendant l'utilisation ; cela est normal.

MISE EN GARDE

1. Utiliser dans un endroit sec uniquement. Ne pas exposer à l'eau, la vapeur ou la pluie.
2. Toujours connecter le cordon à l'appareil avant de brancher l'adaptateur dans une prise de courant.
3. Ne pas utiliser l'appareil si le boîtier ou le cordon sont endommagés.
4. Débrancher l'appareil avant de le nettoyer ou lorsque vous ne l'utilisez pas.
5. Veiller à ce que le sélecteur de tension soit sur la bonne position avant de brancher l'appareil. Il se peut qu'un adaptateur de voyage (non inclus) soit nécessaire pour utiliser l'appareil à l'extérieur des É.-U. et du Canada. L'adaptateur fourni s'adapte automatiquement à la tension secteur. **NE PAS UTILISER L'APPAREIL AVEC UN CONVERTISSEUR DE TENSION.**

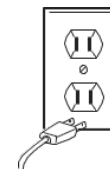
PRÉCAUTIONS DE CHARGE

- Éviter de charger l'appareil à des températures inférieures à 5° C (41 °F) ou supérieure à 35 °C (95 °F).
- Éviter de charger l'appareil au soleil ou près d'une source de chaleur.
- Il est conseillé de recharger l'appareil tous les mois, même si vous ne pensez pas l'utiliser ; cela aidera à préserver la vie de la batterie rechargeable.
- Le cordon d'alimentation n'est pas remplaçable. Si le cordon est endommagé, jeter l'adaptateur secteur.

PRÉCAUTIONS D'UTILISATION

- Cet appareil contient une batterie rechargeable. Ne pas l'incinérer, le chauffer ou l'utiliser/le charger/le laisser à la chaleur.

**AVERTISSEMENT :
SI VOUS PENSEZ QUE LE
COURANT EST COUPÉ PARCE
QUE L'APPAREIL EST ÉTEINT,
VOUS VOUS TROMPEZ.**



Tout le monde sait que l'eau et l'électricité ne font pas bon ménage, mais saviez-vous qu'un appareil est toujours sous tension, même lorsqu'il est éteint? S'il est branché, il est sous tension. Alors, si vous n'utilisez pas l'appareil, débranchez-le.

GARANTIE LIMITÉE DE 2 ANS **(VALABLE AUX É.-U. UNIQUEMENT)**

BabylissPro réparera ou remplacera (à sa discrétion) ce produit sans frais, si au cours des 24 mois suivant la date d'achat, il affiche un vice de matière ou de fabrication.

Pour un service au titre de la garantie, renvoyez le produit défectueux au service après-vente ci-dessous, accompagné du reçu de caisse et d'un chèque ou mandat-carte de 15,00 \$ US pour couvrir les frais de port et manutention. Les résidents de la Californie devront produire une preuve d'achat et appeler le 1-800-326-6247 pour obtenir des directives d'envoi. En l'absence du reçu de caisse, la période de garantie sera de 24 mois à compter de la date de fabrication.

TOUTE GARANTIE, OBLIGATION OU RESPONSABILITÉ IMPLICITE, Y COMPRIS, MAIS SANS Y ÊTRE LIMITÉE, LA GARANTIE IMPLICITE DE QUALITÉ MARCHANDE ET D'APTITUDE À PRODUIRE UNE TÂCHE PARTICULIÈRE, SERA LIMITÉE À LA PÉRIODE DE 24 MOIS DE CETTE GARANTIE ÉCRITE. Certains États ne permettent pas la limite de durée d'une garantie implicite ; cette limite peut donc ne pas s'appliquer dans votre cas.

BABYLISSPRO NE POURRA ÊTRE TENU RESPONSABLE DE QUELQUE DOMMAGE PARTICULIER, CONSÉCUTIF OU INDIRECT, QUE CE SOIT POUR BRIS DE CETTE GARANTIE OU DE TOUT AUTRE, EXPRESSE OU IMPLICITE. Certains États ne permettent pas l'exclusion ni la limitation des dommages particuliers, indirects ou consécutifs ; les limites précédentes peuvent donc ne pas s'appliquer dans votre cas.

Cette garantie vous accorde des droits particuliers et vous pouvez également bénéficier d'autres droits qui varient d'un État à l'autre.

Pièces de rechange pour les tondeuses BaBylissPRO

Il se peut que des pièces détachées soient disponibles pour votre appareil. Pour plus d'informations, contacter le service après-vente de BaBylissPRO en appelant le 1-800-326-6247.

Il vous faudra fournir le nom du produit/numéro de modèle, la date d'achat et le nom ou la description de la pièce dont vous avez besoin.

Service après-vente
BaBylissPro
Service Department

7475 N. Glen Harbor Blvd.
Glendale, AZ 85307

1-800-326-6247
©2020 BaBylissPro
205 Shelhouse Drive
Rantoul, IL 61866

19FA060910
www.babylisspro.com

**SI VOUS NE RÉSIDEZ PAS AU CANADA,
VEUILLEZ CONTACTER VOTRE DISTRIBUTEUR LOCAL.**

GARANTIE DE REMPLACEMENT DE DEUX ANS (VALABLE AU CANADA)

Dannyco Professional est le distributeur exclusif de cet appareil au Canada. Nous offrons la garantie suivante sur votre appareil professionnel. Conservez votre reçu de caisse. C'est votre preuve d'achat et votre garantie. Cette garantie n'est pas valable si des personnes non autorisées ont fait un mauvais usage de l'appareil ou ont tenté de le modifier ou de le réparer. Merci de lire les conditions de garantie suivantes avant de nous renvoyer l'appareil défectueux.

Si votre appareil présente un défaut de fabrication dans les DEUX ANS suivant la date d'achat, vous pouvez l'échanger sans frais, sous présentation d'une preuve d'achat.

Pour un service au titre de cette garantie, renvoyez l'appareil défectueux au service après-vente de Dannyco Professional, accompagné de :

- 1) votre reçu de caisse daté ;
- 2) une description précise du problème/défaut ;
- 3) votre adresse complète et votre numéro de téléphone (pendant la journée) ; et
- 4) un mandat de \$10 pour couvrir les frais de port et de manutention

Veillez renvoyer l'appareil défectueux à :

Dannyco Professional Service Center
CONAIR CONSUMER PRODUCTS ULC
100 Conair Parkway
Woodbridge, Ontario
L4H 0L2

Cette garantie s'applique uniquement aux résidents du Canada. Les produits expédiés depuis l'extérieur du Canada ne seront pas réparés et ne seront pas renvoyés à l'expéditeur.

Si vous avez des questions concernant ce produit, appelez le service à la clientèle de Dannyco Professional au 1-800-363-0707, ou écrire à customerservice@dannyco.com.

IB-16251D